

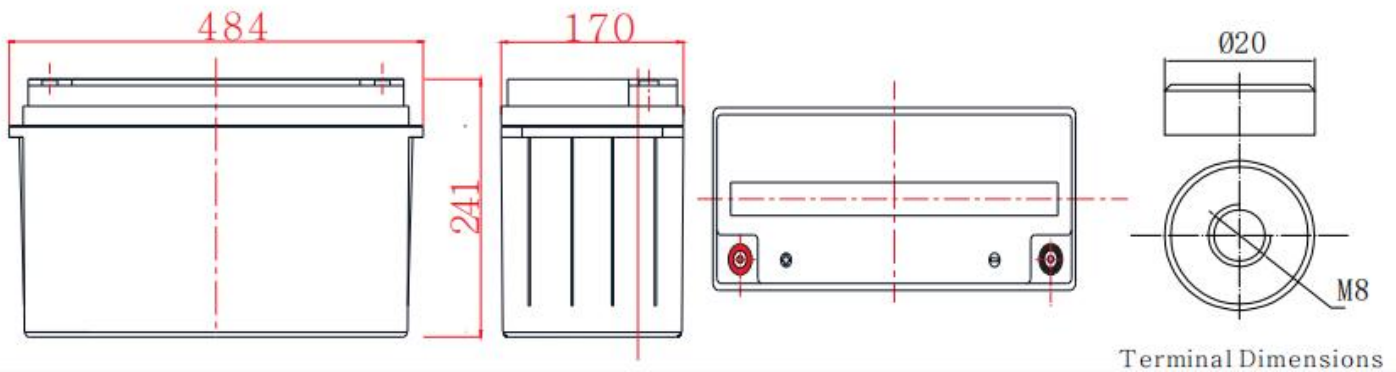
General Features

- ▶ Lead-carbon composite negative plate, both capacitance and battery characteristics
- ▶ Long cycle life, excellent deep cycle discharge ability
- ▶ Excellent charge acceptance ability
- ▶ Optimized capability of instant high-current discharging
- ▶ Strong high and low temperature performance
- ▶ Precision sealing technology



Dimension: 484(L) × 170(W) × 241(H) × 241(TH)

Unit: mm



Specification	
Nominal Voltage	12V
Nominal Capacity	150Ah
Design life	10 years
Terminal	M8
Approx. Weight	Approx 47.0kg (104lbs)
Container Material	ABS
short-circuit current	2400A
Internal resistance(Full charged at 25°C:)	5.0 mΩ
Self discharge	3% of capacity declined per month at 25°C
Operating Temperature	
Discharge:	-20 ~50°C(-4~ 122°F)
Charge :	-20 ~50°C(-4~ 122°F)
Storage:	-20 ~50°C(-4~ 122°F)
Charge Method(25 °C)	
Charge current:	Max. 37.5A; Recom. 15A
Float charge: 13.5-13.8V	recom. 13.8V(-18mV/ °C)
Equalize charge: 13.8-14.1V	recom. 14.1V(-24mV/ °C)
Cycle charge: 14.4-15.0V	recom. 14.7V(-30mV/ °C)

Standards

Executive standard YD/T 799-2010

Applications

- ▶ Solar/ wind energy and other new energy storage
- ▶ Hybrid vehicles, electric bicycles and other new energy vehicles
- ▶ Other backup or cycle purposes

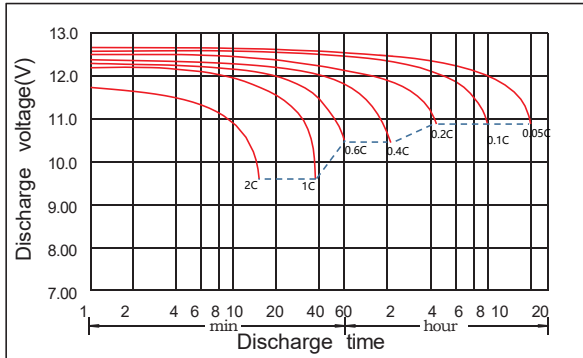
Rated Capacity

10Hour Rate (15.0A to 10.8V)	150.0Ah
3Hour Rate (40.9A to 10.2V)	122.9Ah
1Hour Rate (93.4A to 9.6V)	93.4Ah

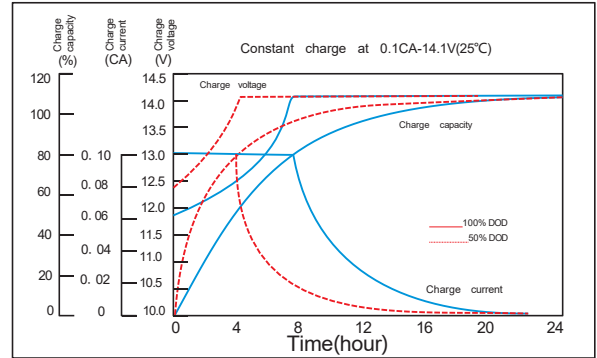
Attain Certificate



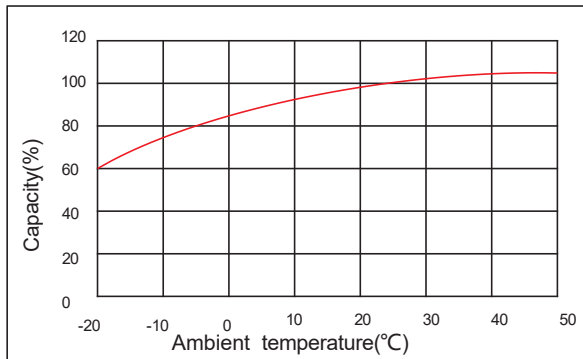
Discharge characteristic



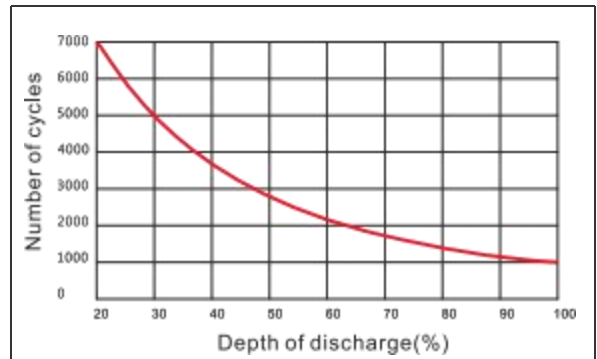
Charging characteristic



The effect of temperature on capacity



The effect of discharge depth on cycle life



Constant Current Discharge Characteristics Unit:A (25°C,77°F)

FV/Time	5min	10min	15min	30min	45min	1h	1.5h	2h	3h	4h	5h	6h	8h	10h	20h
1.60V	306	306	255	152	118	93.4	63.8	58.5	42.0	30.4	28.2	22.5	18.5	15.6	8.03
1.65V	301	301	242	149	116	92.8	63.0	57.8	41.6	30.1	28.0	22.3	18.4	15.5	7.91
1.70V	289	289	240	147	115	92.3	62.3	57.0	40.9	29.8	27.7	22.1	18.2	15.3	7.80
1.75V	266	266	237	146	114	91.2	61.9	56.3	40.5	29.6	27.4	21.9	18.1	15.2	7.69
1.80V	238	238	217	139	110	88.6	61.1	55.1	40.1	29.3	26.6	21.6	17.9	15.0	7.58
1.85V	212	212	196	127	101	82.3	59.3	52.5	37.9	28.4	25.3	21.0	17.2	14.6	7.39

Constant Power Discharge Characteristics Unit: W/cell (25°C ,77°F)

FV/Time	5min	10min	15min	30min	45min	1h	1.5h	2h	3h	4h	5h	6h	8h	10h	20h
1.60V	520	520	459	274	218	178	124	113	81.5	59.0	54.7	43.9	36.0	30.4	15.7
1.65V	512	512	436	269	215	177	122	112	80.8	58.4	54.3	43.5	35.8	30.2	15.5
1.70V	491	491	431	264	213	176	121	111	79.3	57.8	53.7	42.8	35.6	29.8	15.3
1.75V	452	452	427	262	211	174	120	109	78.6	57.3	53.0	42.5	35.3	29.6	15.1
1.80V	404	404	390	251	203	169	119	107	77.8	56.8	51.6	41.9	35.0	29.3	14.8
1.85V	363	363	355	230	188	158	116	102	73.9	55.4	49.3	41.0	33.7	28.6	14.6