

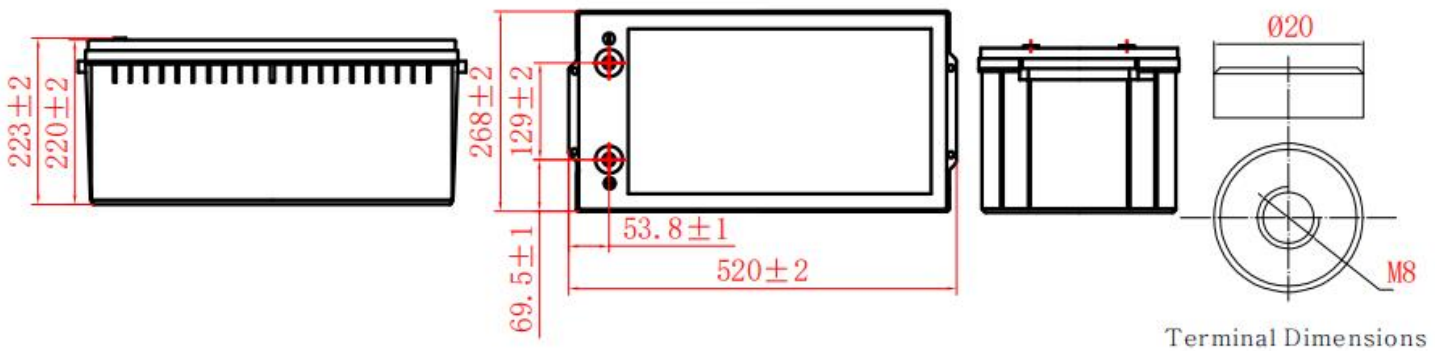
General Features

- ▶ Lead-carbon composite negative plate, both capacitance and battery characteristics
- ▶ Long cycle life, excellent deep cycle discharge ability
- ▶ Excellent charge acceptance ability
- ▶ Optimized capability of instant high-current discharging
- ▶ Strong high and low temperature performance
- ▶ Precision sealing technology



Dimension: 520(L) × 268(W) × 220(H) × 223(TH)

Unit: mm



| Specification | |
|---|---|
| Nominal Voltage | 12V |
| Nominal Capacity | 250Ah |
| Design life | 10 years |
| Terminal | M8 |
| Approx. Weight | Approx 71.0kg (157lbs) |
| Container Material | ABS |
| short-circuit current | 3157A |
| Internal resistance(Full charged at 25°C:) | 3.8 mΩ |
| Self discharge | 3% of capacity declined per month at 25°C |
| Operating Temperature | |
| Discharge: | -20 ~50°C(-4~ 122°F) |
| Charge : | -20 ~50°C(-4~ 122°F) |
| Storage: | -20 ~50°C(-4~ 122°F) |
| Charge Method(25 °C) | |
| Charge current: | Max. 62.5A; Recom. 25A |
| Float charge: 13.5-13.8V | recom. 13.8V(-18mV/ °C) |
| Equalize charge: 13.8-14.1V | recom. 14.1V(-24mV/ °C) |
| Cycle charge: 14.4-15.0V | recom. 14.7V(-30mV/ °C) |

Standards

Executive standard YD/T 799-2010

Applications

- ▶ Solar/ wind energy and other new energy storage
- ▶ Hybrid vehicles, electric bicycles and other new energy vehicles
- ▶ Other backup or cycle purposes

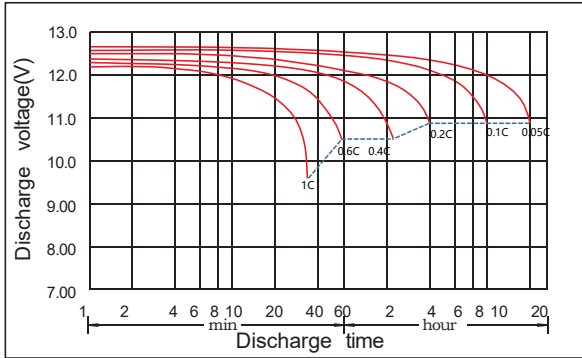
Rated Capacity

| | |
|------------------------------|---------|
| 10Hour Rate (25.0A to 10.8V) | 250.0Ah |
| 3Hour Rate (68.4A to 10.2V) | 205.2Ah |
| 1Hour Rate (168A to 9.6V) | 168.0Ah |

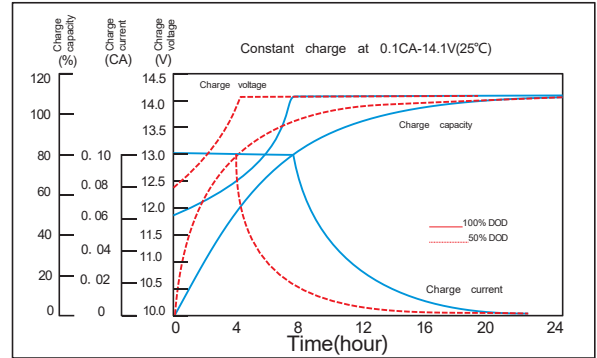
Attain Certificate



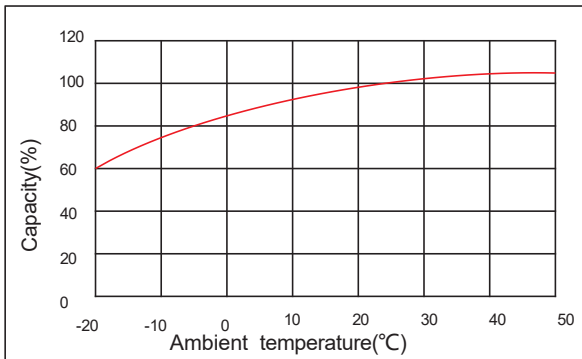
Discharge characteristic



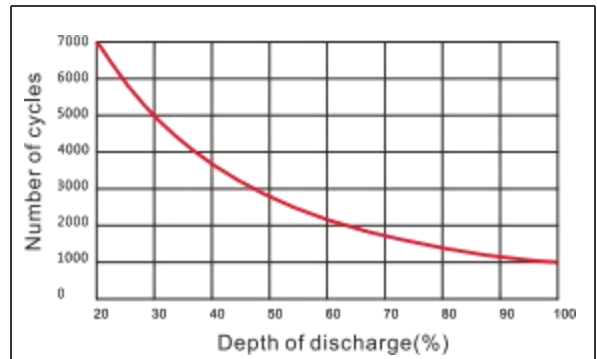
Charging characteristic



The effect of temperature on capacity



The effect of discharge depth on cycle life



Constant Current Discharge Characteristics Unit:A (25°C,77°F)

| FV/Time | 5min | 10min | 15min | 30min | 45min | 1h | 1.5h | 2h | 3h | 4h | 5h | 6h | 8h | 10h | 20h |
|---------|------|-------|-------|-------|-------|-----|------|------|------|------|------|------|------|------|------|
| 1.60V | 306 | 306 | 306 | 230 | 199 | 168 | 106 | 96.5 | 70.1 | 50.7 | 47.0 | 37.5 | 30.9 | 26.0 | 13.7 |
| 1.65V | 301 | 301 | 301 | 226 | 197 | 167 | 105 | 96.0 | 69.3 | 50.3 | 46.6 | 37.2 | 30.6 | 25.8 | 13.6 |
| 1.70V | 289 | 289 | 289 | 222 | 194 | 166 | 104 | 95.3 | 68.4 | 49.7 | 46.1 | 36.8 | 30.4 | 25.5 | 13.5 |
| 1.75V | 266 | 266 | 266 | 220 | 192 | 164 | 103 | 93.8 | 67.6 | 49.3 | 45.6 | 36.5 | 30.1 | 25.3 | 13.5 |
| 1.80V | 238 | 238 | 238 | 211 | 185 | 159 | 102 | 92.1 | 67.1 | 48.8 | 44.3 | 36.0 | 29.9 | 25.0 | 13.4 |
| 1.85V | 212 | 212 | 212 | 192 | 170 | 148 | 98.8 | 87.5 | 63.2 | 47.4 | 42.1 | 35.0 | 28.7 | 24.3 | 13.2 |

Constant Power Discharge Characteristics Unit: W/cell (25°C ,77°F)

| FV/Time | 5min | 10min | 15min | 30min | 45min | 1h | 1.5h | 2h | 3h | 4h | 5h | 6h | 8h | 10h | 20h |
|---------|------|-------|-------|-------|-------|-----|------|-----|-----|------|------|------|------|------|------|
| 1.60V | 520 | 520 | 520 | 451 | 390 | 330 | 209 | 190 | 138 | 99.9 | 92.6 | 73.9 | 61.2 | 51.5 | 27.0 |
| 1.65V | 512 | 512 | 512 | 443 | 385 | 328 | 207 | 189 | 137 | 99.1 | 91.8 | 73.3 | 60.6 | 51.1 | 26.9 |
| 1.70V | 491 | 491 | 491 | 435 | 380 | 326 | 205 | 188 | 135 | 97.9 | 90.8 | 72.5 | 60.2 | 50.5 | 26.8 |
| 1.75V | 452 | 452 | 452 | 432 | 377 | 322 | 203 | 185 | 133 | 97.1 | 89.8 | 71.9 | 59.6 | 50.1 | 26.6 |
| 1.80V | 404 | 404 | 404 | 413 | 362 | 313 | 201 | 181 | 132 | 96.1 | 87.3 | 70.9 | 59.2 | 49.5 | 26.5 |
| 1.85V | 363 | 363 | 363 | 379 | 335 | 293 | 196 | 173 | 125 | 93.9 | 83.4 | 69.3 | 57.1 | 48.4 | 26.3 |